

# Threaded body cylinders

with metal wiper, double-acting, pmax. 500 bar

200-2  
Issue: 09/2023

## Description:

This cylinder with double acting function saves space when built into fixture plates or into plates of plastic injection moulds.

The double acting function makes cycledependent strokes possible when retracting and extending the piston. The operation times can be calculated from the possible flow rate of the power unit and the operated piston or ring area volume. Unlike with single acting cylinders both stroke directions are power operated.

On the piston rod end the cylinders are equipped with a retractable wiper made of NBR/FKM and an additional metal wiper.

The metal wiper prevents the penetration of chips into the soft wiper and in this way the piston is prevented from jamming. This preventive measure protects the seals and increases the life of the cylinder.

## Operating conditions:

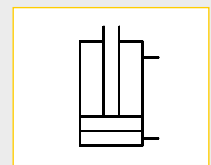
Oil is fed to the inside of the fixture body by means of drilled oilways. Meticulous cleanliness is extremely important since drilling chips may damage the seals and cause leakage and the failure of the installation.

The cylinder is sealed by means of an O-ring / support ring combination. Due to the compact design the threaded body cylinder does not have an internal stop for the return stroke, but uses the bore bottom of the assembly bore. For that reason the dimension "g" for the installation depth must be adhered to absolutely.

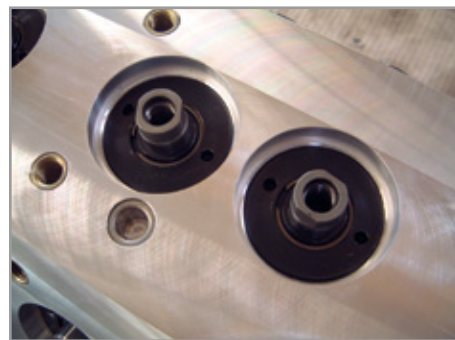
The diagonal feeds and cross-bores for the oil supply must be well rounded in order to prevent the seals from being damaged during installation.



Webcode: 020002



Application example.



## Seal material:

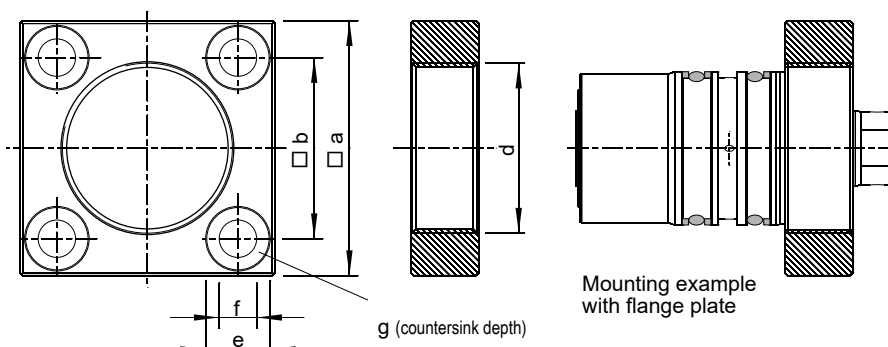
- ⊗ NBR, Operating temperature: -10° up to +80°C
- ⊗ FKM, Operating temperature: up to 150°C

## Advantages:

- ⊗ No ingress of chips due integrated metal wiper
- ⊗ Space-saving positioning possible
- ⊗ Fully retractable housing
- ⊗ Oil supply without pipe
- ⊗ Varied for manifold application options

General operating conditions and other information can be found on the catalog page "Recommendations & General Characteristics" or at [www.hydrokomp.de](http://www.hydrokomp.de).

## Flange plates (Accessories):



The flange plate makes it is easy to mount the cylinder with four screws. The thread (page 2, measure "c") inside the mounting housing is not necessary. The mounting dimension is less the dimension "f" (see table on page 2).

## Technical data:

for cylinder with Piston Ø	[mm]	16	20	25	32	40	50
a	[mm]	45	60	65	80	90	105
b	[mm]	32	41	45	57	64	75
c	[mm]	12	12	12	14,5	16,5	18,5
d	[mm]	M30x1,5	M36x1,5	M42x1,5	M56x2	M64x2	M72x3
e	[mm]	11	15	15	18	20	20
f	[mm]	6,6	9	9	11	13,5	13,5
g	[mm]	6,5	8,3	8,3	10,5	12,6	12,6
4 Screws DIN 912, 8.8	(in scope of supply)	M6x16	M8x16	M8x16	M10x20	M12x25	M12x25
<b>Order no.</b>	<b>MP-EZY...</b>	<b>...-DW-16</b>	<b>...-DW-20</b>	<b>...-DW-25</b>	<b>...-DW-32</b>	<b>...-DW-40</b>	<b>...-DW-50</b>

We also design and manufacture customized variants!

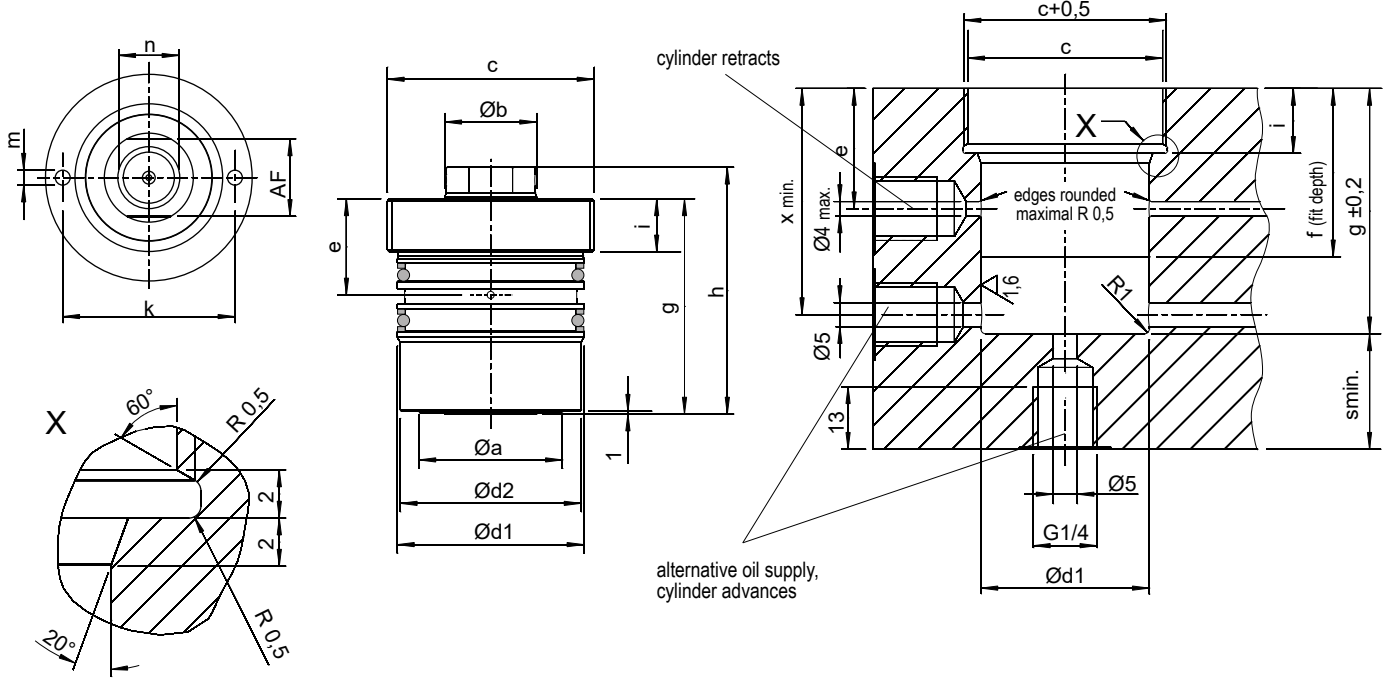
**HYDROKOMP®**  
Hydraulische Komponenten GmbH

+49 6401 225999-0

sales@hydrokomp.de

Siemenstr. 16  
35325 Mücke (Germany)

www.hydrokomp.de



Technical data (threaded body cylinders)

a Piston Ø <sup>(1)</sup>	[mm]	16	20	25	32	40	50
b Rod Ø	[mm]	10	12	16	20	25	32
Push force at 100 bar	[kN]	2,00	3,14	4,91	8,04	12,57	19,64
Pull force at 100 bar	[kN]	1,22	2,02	2,90	4,90	7,66	11,59
Push force at 500 bar	[kN]	10,00	15,70	24,50	40,20	62,80	98,50
Pull force at 500 bar	[kN]	6,10	10,00	14,50	24,50	38,30	57,90
Oil req./10 mm advance stroke	[cm <sup>3</sup> ]	2,00	3,14	4,91	8,04	12,57	19,46
Oil req./10 mm back stroke	[cm <sup>3</sup> ]	1,22	2,02	2,90	4,90	7,66	11,59
c	[mm]	M30x1,5	M36x1,5	M42x1,5	M56x2	M64x2	M72x3
d1 H7/f7	[mm]	22	28	35	45	55	65
d2	[mm]	20	26	33	43	53	63
e	[mm]	24	25	25	28	30	34
f +1 (Fit depth in the housing)	[mm]	38	40	40	41	46	50
i	[mm]	12	12	12	14,5	16,5	18,5
k	[mm]	23	28	30	40	50	60
m	[mm]	3,5	4,2	5,2	5,2	5,2	5,2
n x thread depth	[mm]	M6x15	M8x16	M10x17	M12x18	M16x27	M20x32
s min.	[mm]	8	10	11	13	16	20
AF	[mm]	8	10	13	17	22	27
x min.	[mm]	41	43	43	44	49	53
<b>Stroke<sup>(2)</sup> ±1</b>	[mm]	<b>16</b>	<b>16</b>	<b>20</b>	<b>25</b>	<b>25</b>	<b>25</b>
g	[mm]	50	51	56	64	68	75
h	[mm]	56	57	63	74	78	86
<b>Order no.</b>	<b>EZY-DW...</b>	<b>...-16-16-00X</b>	<b>...-20-16-00X</b>	<b>...-25-20-00X</b>	<b>...-32-25-00X</b>	<b>...-40-25-00X</b>	<b>...-50-25-00X</b>
<b>Stroke<sup>(2)</sup> ±1</b>	[mm]	<b>32</b>	<b>32</b>	-	-	-	-
g	[mm]	66	67	-	-	-	-
h	[mm]	72	73	-	-	-	-
<b>Order no.</b>	<b>EZY-DW...</b>	<b>...-16-32-00X</b>	<b>...-20-32-00X</b>	-	-	-	-
<b>Stroke<sup>(2)</sup> ±1</b>	[mm]	<b>50</b>	<b>50</b>	<b>50</b>	<b>50</b>	<b>50</b>	<b>50</b>
g	[mm]	84	85	86	89	93	100
h	[mm]	90	91	93	99	103	111
<b>Order no.</b>	<b>EZY-DW...</b>	<b>...-16-50-00X</b>	<b>...-20-50-00X</b>	<b>...-25-50-00X</b>	<b>...-32-50-00X</b>	<b>...-40-50-00X</b>	<b>...-50-50-00X</b>
<b>Stroke<sup>(2)</sup> ±1</b>	[mm]	-	-	<b>100</b>	<b>100</b>	<b>100</b>	<b>100</b>
g	[mm]	-	-	136	139	143	150
h	[mm]	-	-	143	149	153	161
<b>Order no.</b>	<b>EZY-DW...</b>	-	-	<b>...-25-100-00X</b>	<b>...-32-100-00X</b>	<b>...-40-100-00X</b>	<b>...-50-100-00X</b>
<b>Stroke<sup>(2)</sup> ±1</b>	[mm]	-	-	-	<b>160</b>	<b>160</b>	<b>160</b>
g	[mm]	-	-	-	199	203	210
h	[mm]	-	-	-	209	213	221
<b>Order no.</b>	<b>EZY-DW...</b>	-	-	-	<b>...-32-160-00X</b>	<b>...-40-160-00X</b>	<b>...-50-160-00X</b>

Choose the correct order number:  
 EZY-DW-[Piston Ø-Stroke]-00X  
 replace X with seal material: NBR = 1, FKM = 2  
**Example: EZY-DW-20-16-002**

<sup>(1)</sup>Other piston diameters are available on request.  
<sup>(2)</sup>Other strokes are available on request.